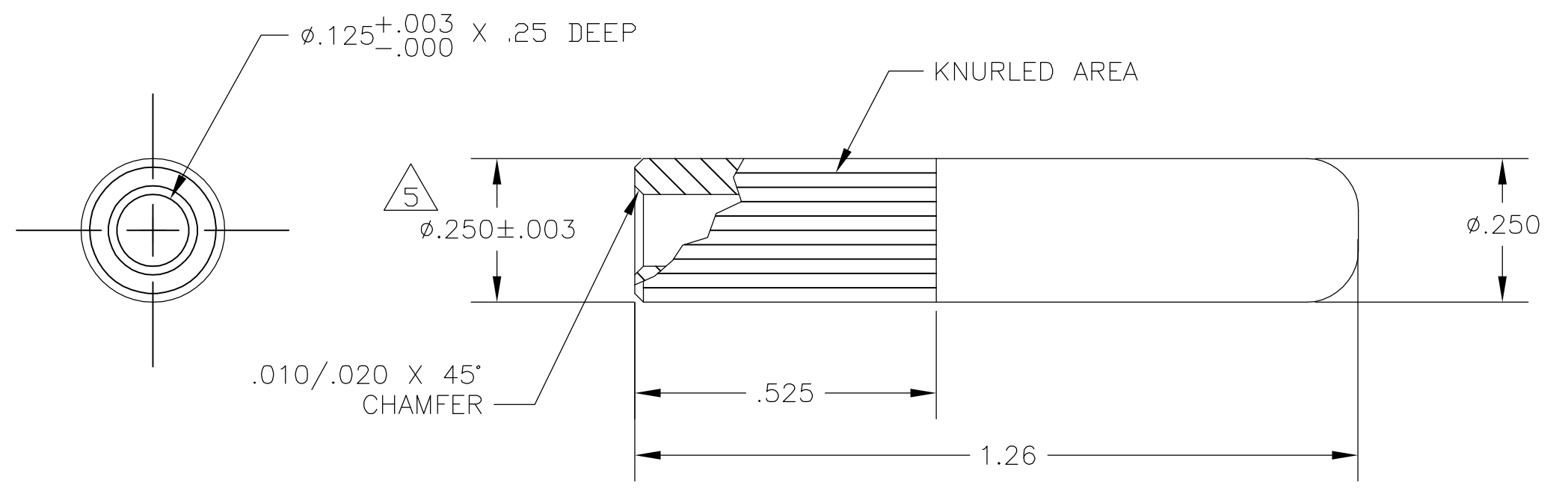


THIS DRAWING IS UNPUBLISHED. RELEASED FOR PUBLICATION
 © COPYRIGHT BY TYCO ELECTRONICS CORPORATION. ALL RIGHTS RESERVED.

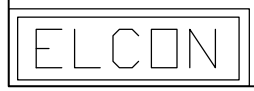
LOC	DIST	REVISIONS					
GP	00	P	LTR	DESCRIPTION	DATE	DWN	APVD
		A		RELEASED	03APR06	RG	PD



5. DIAMETER OVER KNURL.

- 4. FINISH: SILVER .000200 MIN THK. OVER NICKEL .000040 MIN THK.
- 3. MATERIAL: BRASS ALLOY.
- 2. ITEMS PROVIDED TO THIS SPECIFICATION SHALL BE IDENTIFIED ON THE CONTAINER WITH THE FOLLOWING INFORMATION: PART NUMBER & DATE CODE OF MFG.
- 1. PART NUMBER CHANGES AND/OR DESIGN CHANGES AFFECTING ITEM INTERCHANGEABILITY REQUIRE PRIOR TYCO APPROVAL AND AUTHORIZATION BY REVISION TO THIS DRAWING.

1766278-1
PART NUMBER



THIS DRAWING IS A CONTROLLED DOCUMENT.		DWN R.GRZYBOWSKI 04APR2006	Tyco Electronics Corporation Harrisburg, PA 17105-3608	
DIMENSIONS: INCHES	TOLERANCES UNLESS OTHERWISE SPECIFIED:	CHK P.DAMATO 03APR06	NAME	
	0 PLC ± -	APVD S.FLICKINGER 03APR06	CONTACT, PIN, .25 DIA. WITH KNURLED BODY P/N: 711-39-02107	
	1 PLC ± -	PRODUCT SPEC	SIZE	CAGE CODE
	2 PLC ± .01	APPLICATION SPEC	A3	00779
	3 PLC ± .005	WEIGHT	DRAWING NO C-1766278	
	4 PLC ± -		RESTRICTED TO	
	ANGLES ± .5		-	
MATERIAL SEE NOTE 3	FINISH SEE NOTE 4	CUSTOMER DRAWING		
		SCALE	SHEET	REV
		1:1	1 OF 1	A